

Technical data sheet



Product features

Cooking range solid top gas with static gas oven GN 2/1 - 3x burner

Model	SAP Code	00018741
--------------	-----------------	----------



- Device type: Gas unit
- Ignition: Piezo+večný plamen
- Protection of controls: IPX4
- Material: Stainless steel

SAP Code	00018741	Power gas [kW]	25.400
Net Width [mm]	800	Type of gas	Propane butane, natural gas
Net Depth [mm]	700	Width of internal part [mm]	657
Net Height [mm]	900	Depth of internal part [mm]	558
Net Weight [kg]	140.00	Height of internal part [mm]	308

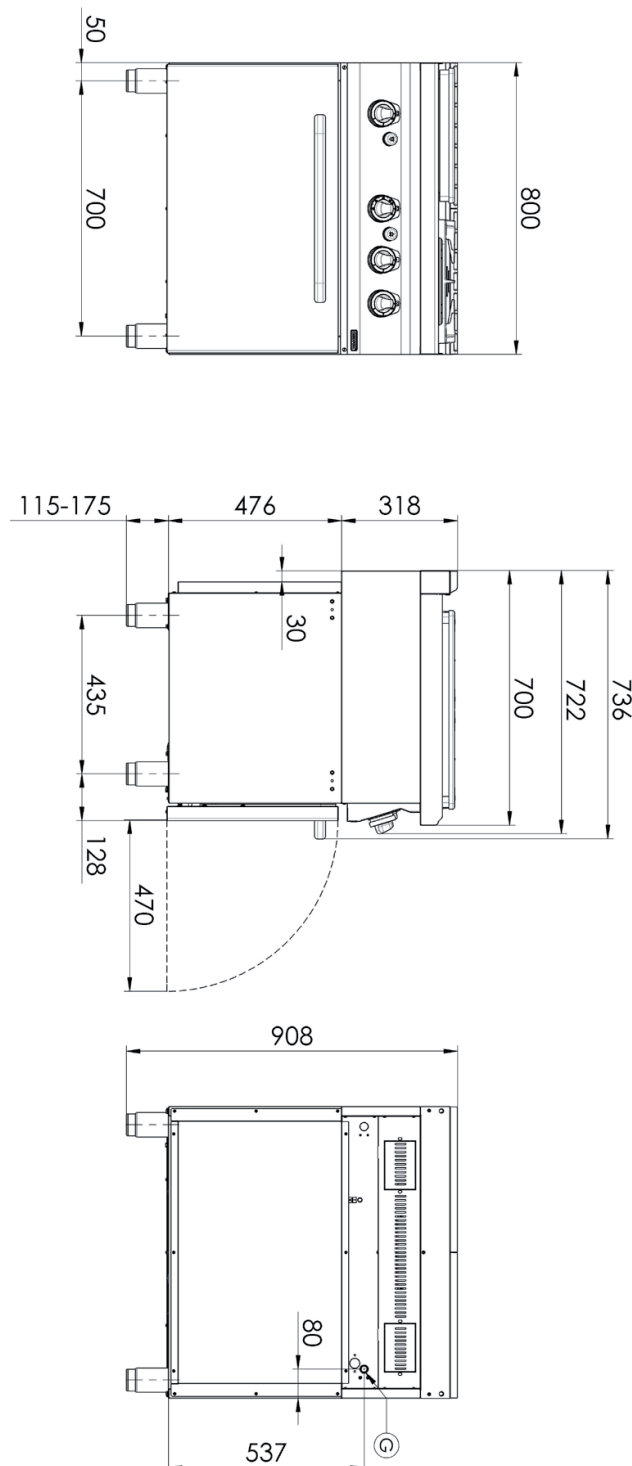
Technical data sheet



Technical drawing

Cooking range solid top gas with static gas oven GN 2/1 - 3x burner

Model	SAP Code	00018741
-------	----------	----------



Technical data sheet



Technical parameters

Cooking range solid top gas with static gas oven GN 2/1 - 3x burner

Model	SAP Code	00018741
--------------	-----------------	----------

1. SAP Code:

00018741

2. Net Width [mm]:

800

3. Net Depth [mm]:

700

4. Net Height [mm]:

900

5. Net Weight [kg]:

140.00

6. Gross Width [mm]:

840

7. Gross depth [mm]:

800

8. Gross Height [mm]:

975

9. Gross Weight [kg]:

140.00

10. Device type:

Gas unit

11. Construction type of device:

With substructure

12. Power gas [kW]:

25.400

13. Ignition:

Piezo+večný plamen

14. Type of gas:

Propane butane, natural gas

15. Protection of controls:

IPX4

16. Material:

Stainless steel

17. Indicators:

operation and warm-up

18. Worktop material:

AISI 304

19. Worktop Thickness [mm]:

1.20

20. Number of power control stages:

6

21. Safety thermocouple:

Yes

22. Number of burners/hot plates:

3

23. Type of gas cooking zones:

Fire protection to install + Classic burners

24. Burner type:

Brass, detachable

25. Oven Type:

gas static

26. Oven size:

GN 2/1

27. Oven material:

Stainless steel

28. Width of internal part [mm]:

657

Technical data sheet



Technical parameters

Cooking range solid top gas with static gas oven GN 2/1 - 3x burner

Model

SAP Code

00018741

29. Depth of internal part [mm]:

558

32. Minimum temperature of the inner chamber [°C]:

50

30. Height of internal part [mm]:

308

33. Connection to a ball valve:

1/2

31. Maximum temperature of the inner chamber [°C]:

300